

4

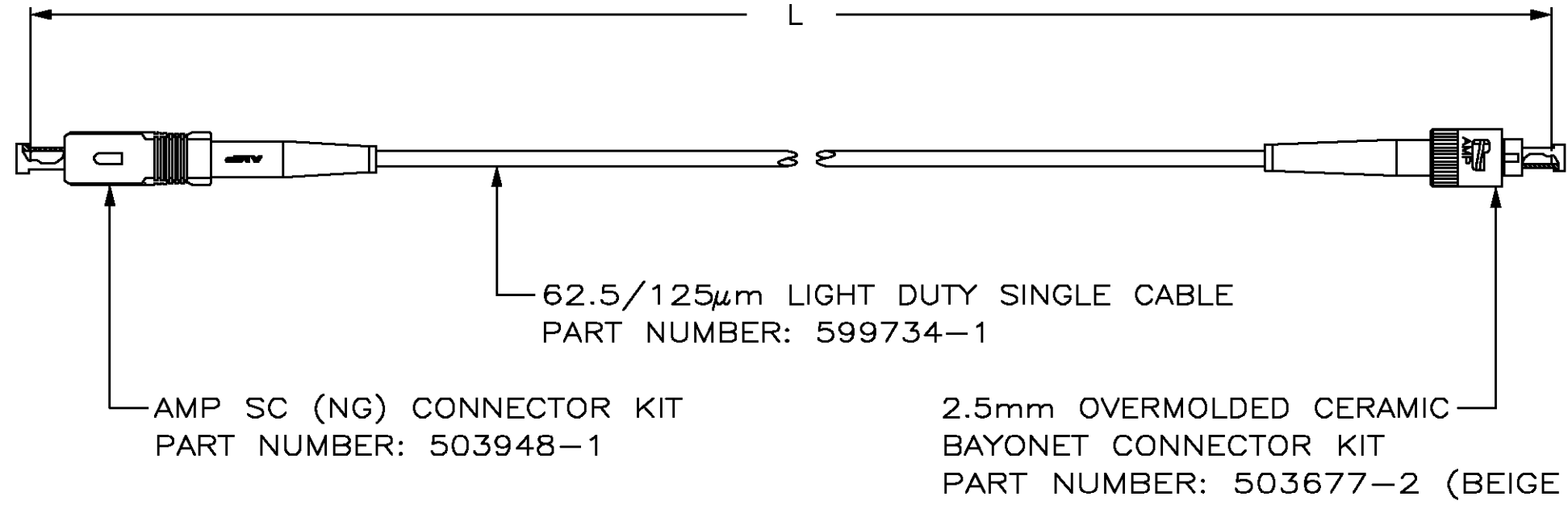
3

2

1

THIS DRAWING IS UNPUBLISHED. RELEASED FOR PUBLICATION .19  
 © COPYRIGHT 19 BY AMP INCORPORATED. ALL RIGHTS RESERVED.

LOC	DIST	REVISIONS			
P	LTR	DESCRIPTION	DATE	DWN	APVD
CE	16				
	F	REVISE PER 0A00-0370-99	20APR99	CK	NM



6.1 $\pm$ 0.08 [240 $\pm$ 3]	1-504972-2
100 $\pm$ 1.0 [3937 $\pm$ 39]	1-504972-1
70 $\pm$ 0.70 [2756 $\pm$ 28]	1-504972-0
60 $\pm$ 0.60 [2362 $\pm$ 24]	504972-9
50 $\pm$ 0.50 [1969 $\pm$ 20]	504972-8
20 $\pm$ 0.3 [787 $\pm$ 12]	504972-7
15 $\pm$ 0.15 [591 $\pm$ 6]	504972-6
10 $\pm$ 0.15 [394 $\pm$ 6]	504972-5
5 $\pm$ 0.08 [197 $\pm$ 3]	504972-4
3 $\pm$ 0.05 [118 $\pm$ 2]	504972-3
2 $\pm$ 0.05 [79 $\pm$ 2]	504972-2
1 $\pm$ 0.05 [39 $\pm$ 2]	504972-1
L	PART NUMBER

1. DIMENSIONS IN [ ] ARE IN INCHES.

THIS DRAWING IS A CONTROLLED DOCUMENT.		DWN S.URICH 20APR99	AMP Incorporated Harrisburg, PA 17105-3608											
DIMENSIONS: METERS ■ [INCHES]		CHK R.PAUL 23APR86												
TOLERANCES UNLESS OTHERWISE SPECIFIED:		APVD N.MILLER 24APR86												
<table border="1"> <tr><td>0 PLC</td><td><math>\pm</math>-</td></tr> <tr><td>1 PLC</td><td><math>\pm</math>-</td></tr> <tr><td>2 PLC</td><td><math>\pm</math>-</td></tr> <tr><td>3 PLC</td><td><math>\pm</math>-</td></tr> <tr><td>4 PLC</td><td><math>\pm</math>-</td></tr> <tr><td>ANGLES</td><td><math>\pm</math>-</td></tr> </table>		0 PLC		$\pm$ -	1 PLC	$\pm$ -	2 PLC	$\pm$ -	3 PLC	$\pm$ -	4 PLC	$\pm$ -	ANGLES	$\pm$ -
0 PLC	$\pm$ -													
1 PLC	$\pm$ -													
2 PLC	$\pm$ -													
3 PLC	$\pm$ -													
4 PLC	$\pm$ -													
ANGLES	$\pm$ -													
MATERIAL -	FINISH -	APPLICATION SPEC -	NAME CABLE ASSY, FIBER OPTIC, 62.5/125 $\mu$ m LDS,ds, AMP SC (NG) TO 2.5mm OVERMOLDED CERAMIC BAYONET, OPTIMATE											
		WEIGHT -	SIZE A3											
		CUSTOMER DRAWING	CAGE CODE 00779											
			DRAWING NO C=504972											
			RESTRICTED TO -											
			SCALE NTS											
			SHEET 1 OF 1											
			REV F											